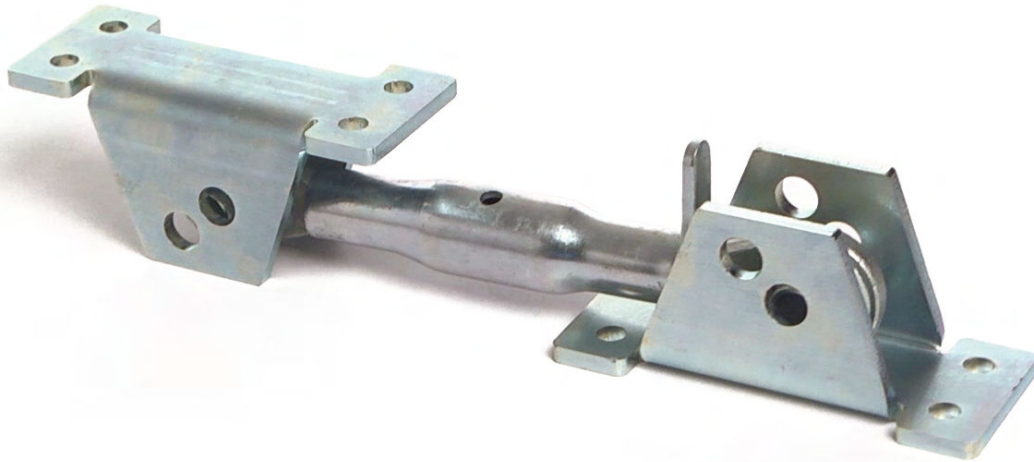


TENDITORE300 - PTEND

Horizontal constraints for mounting kits

LAUMAS®

Up to 100000 kg application range



DESCRIPTION

CODE

Galvanized steel turnbuckle with dual ball-and-socket.

Net weight: 2.10 kg
Working load: 2500 kg
Ultimate overload: 10000 kg

TENDITORE300

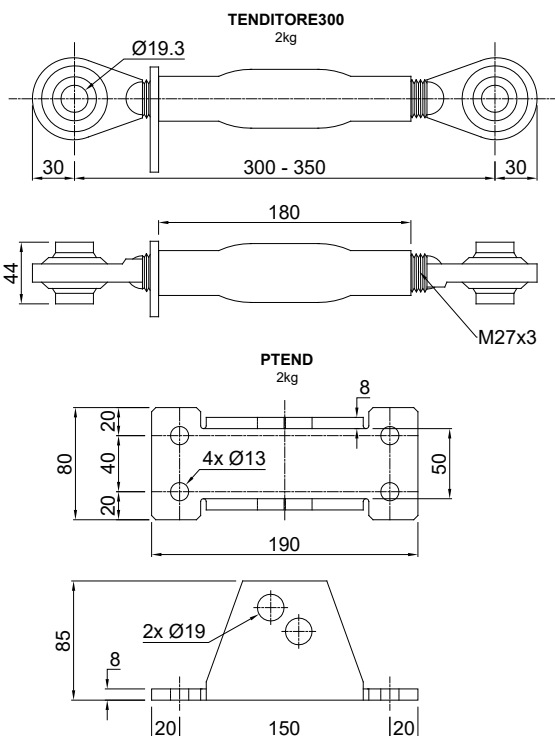
Galvanized steel anchor plate for TENDITORE300

Net weight: 1.5 kg

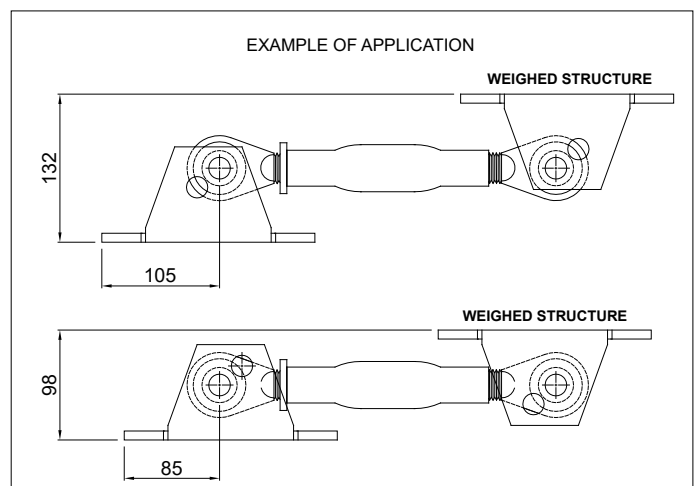
PTEND

DIMENSIONS

DESCRIPTION



- Suitable for static applications; place the constraints in a horizontal position.
- Turnbuckle lock for constraint adjustment.



TENDITORE300 - PTEND

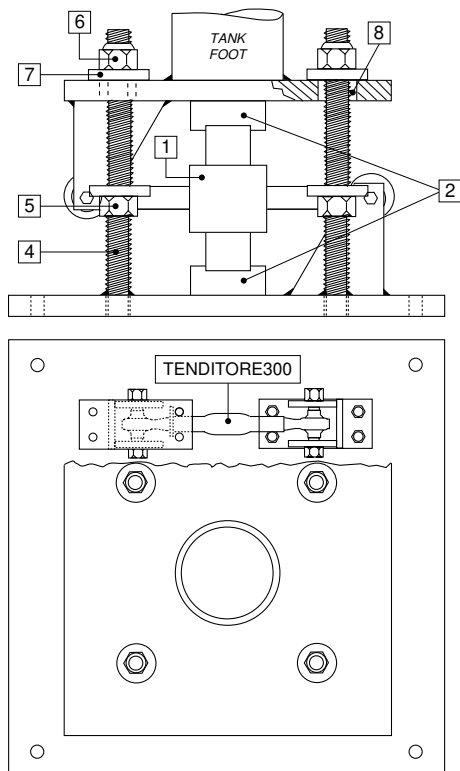
Horizontal constraints for mounting kits

APPLICATION EXAMPLE: HOW TO MAKE MOUNTING KITS WITH HORIZONTAL CONSTRAINTS

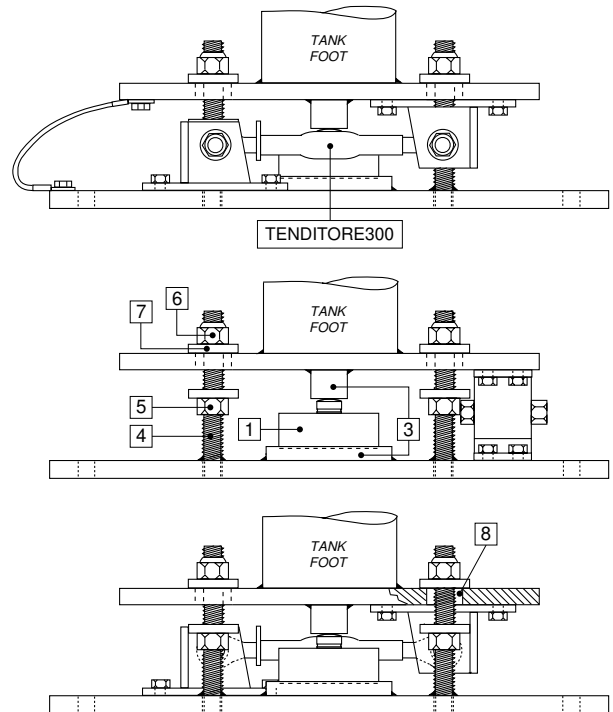
By a copper wire, connect the upper supporting plate with the lower supporting plate, then link together the lower plates to the earthing system.

To ensure the stability of the structure, the system designer must predict any further precaution against side shifts and anti-tilt in function of: knocks and vibrations, wind effect, seismic conditions and hardness of support structure.

Application example with column load cells

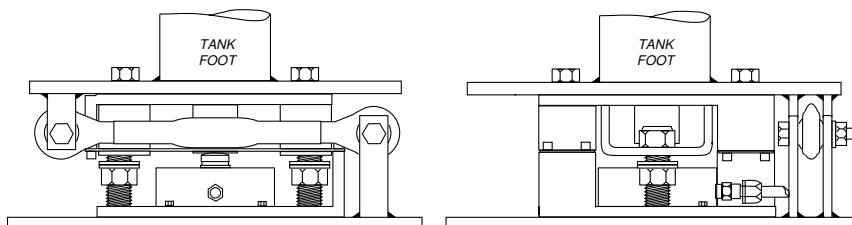


Application example with compression load cells

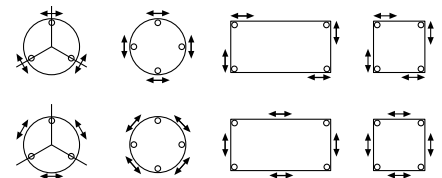


- 1 Load cell.
- 2 Mounting kit for column load cell.
- 3 AISI 304 stainless steel upper and lower bases.
- 4 Threaded rod.
- 5 Nut to be used as jack.
- 6 Anti-tilt self-locking nut.
- 7 Washer.
- 8 Hole diameter 20 mm larger than the bolt.

Application example with V15000 - V30000 - V100000 mounting kits

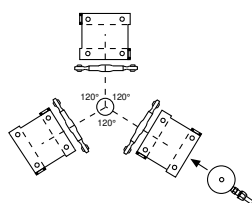


CONSTRAINTS PLACEMENT ON 3/4 SUPPORTS: the horizontal constraints can be positioned both on supports and on the four sides, centrally between two supports.

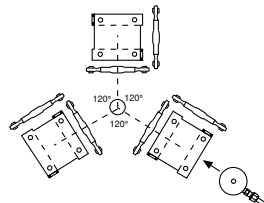


STRUCTURE WITH 3-POINTS SUPPORT

1 CONSTRAINT FOR SUPPORT

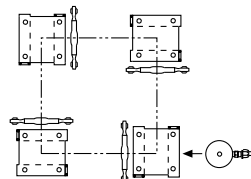


2 CONSTRAINTS FOR SUPPORT



STRUCTURE WITH 4-POINTS SUPPORT

1 CONSTRAINT FOR SUPPORT



2 CONSTRAINTS FOR SUPPORT

